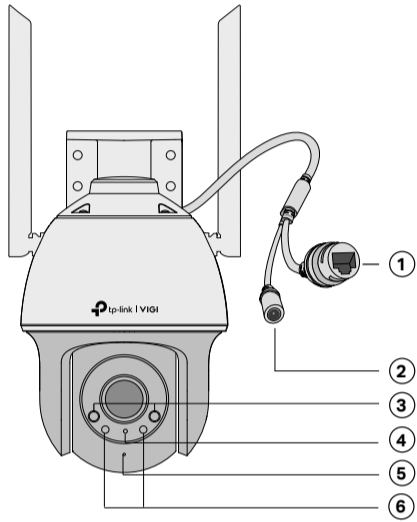


# Quick Start Guide

## VIGI Wi-Fi Network Camera

\*Images may differ from actual products.

### Appearance

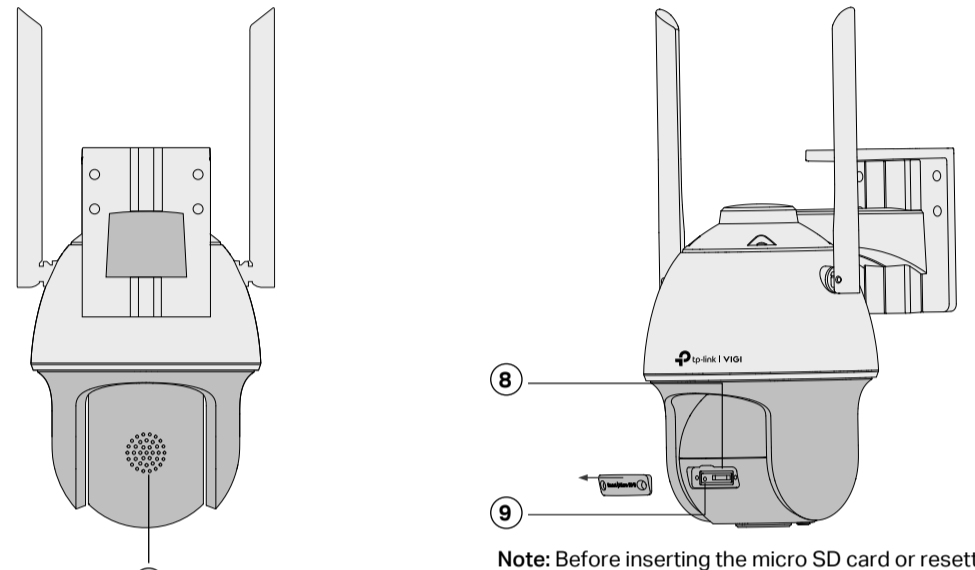
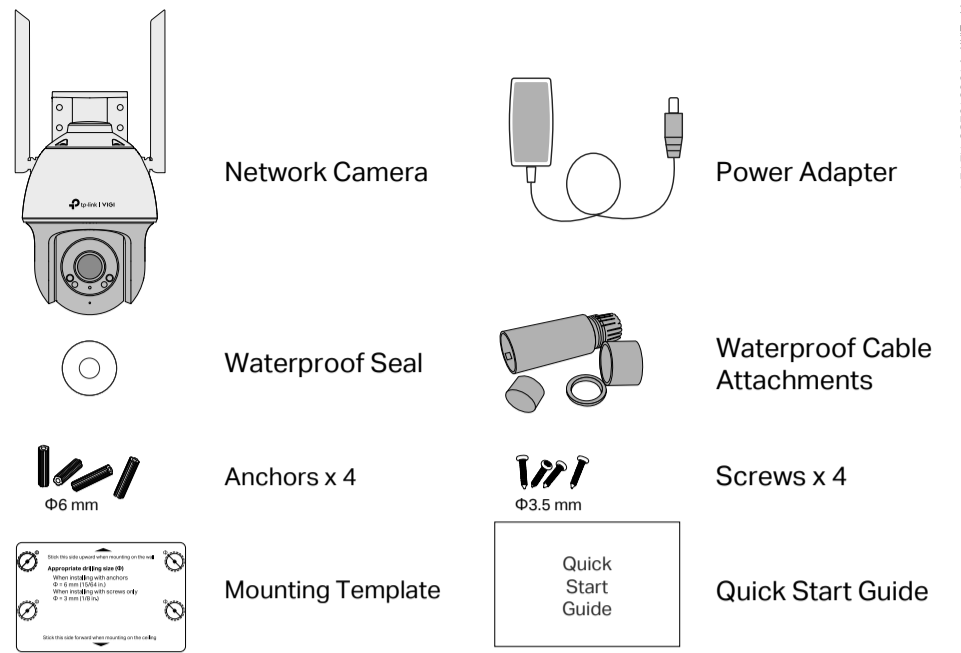


- ① RJ45 Network Interface
- ② Power Supply Interface
- ③ Infrared LED
- ④ Status LED
- ⑤ Built-in Microphone
- ⑥ White LED

#### Status LED Indication

Status	Description
Solid red	Starting up
Blink red and green	Ready for setup
Blink green slowly	Connecting to Wi-Fi
Solid green	Connected to Wi-Fi
Blink red slowly	Wi-Fi connection lost
Blink red quickly	Camera resetting
Blink green quickly	Camera updating

### Package Contents



- ⑦ Speaker
- ⑧ microSD Card Slot  
Insert a microSD card for local storage. Initialize the SD card via VIGI app or other management tools before recording videos.
- ⑨ Reset Button  
Long press the button to reset the camera to factory settings.

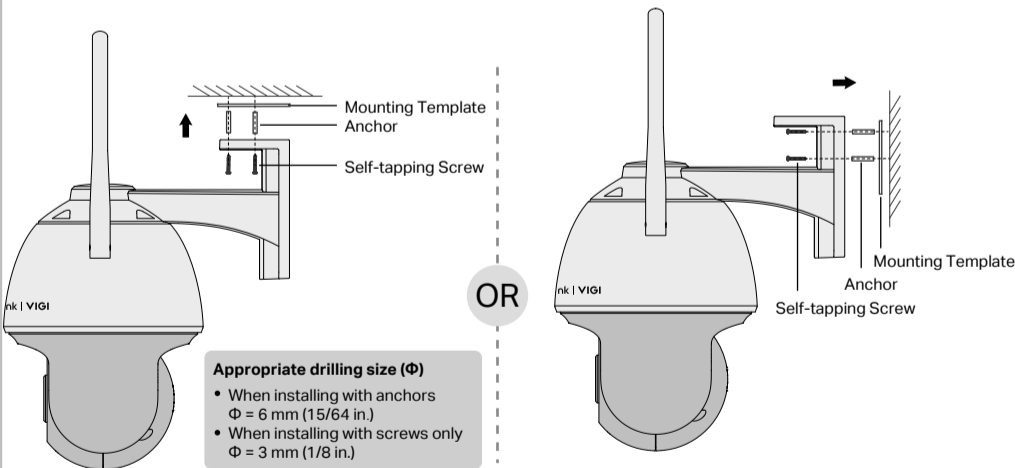
**Note:** Before inserting the micro SD card or resetting the camera, rotate the sphere and unfasten the two fixed screws to remove the cover.

## 1 Mount Camera

### Option 1: Wall/Ceiling Mounting

- Stick the mounting template to the desired mounting place. Drill 4 screw holes according to the template.
- Insert the anchors into the holes, use the provided screws to fix the camera's bracket to the wall or ceiling.

**Note:** Make sure that the wall is strong enough to withstand 3 times the weight of the camera and mounting bracket.

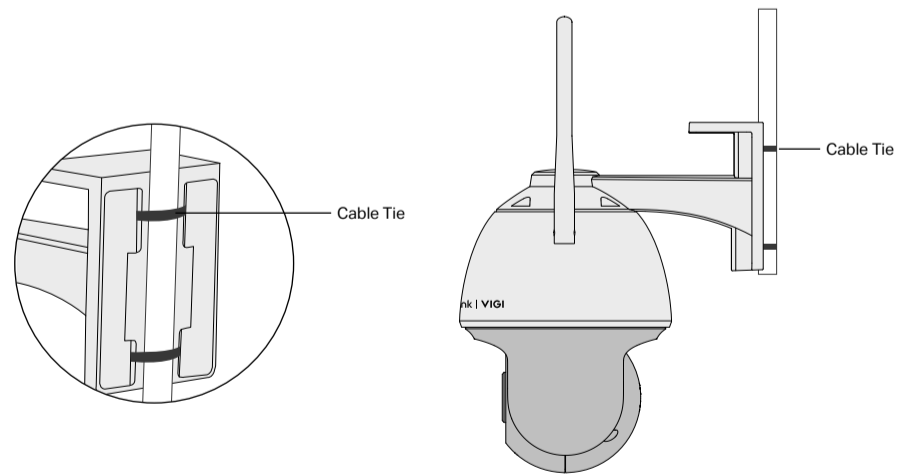


**Appropriate drilling size (Φ)**

- When installing with anchors Φ = 6 mm (15/64 in.)
- When installing with screws only Φ = 3 mm (1/8 in.)

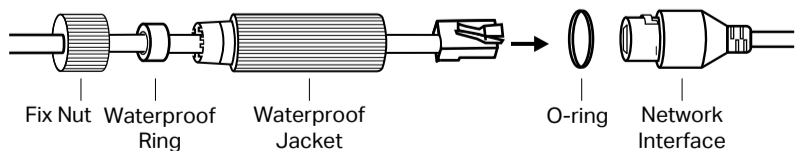
### Option 2: Pole Mounting

- Thread each of the two cable ties through the slits on the back of the camera's bracket indicated below.
- Slip the two cable ties through the pole. Tighten them to firmly attach the pole.



### Installing Waterproof Cable Attachments

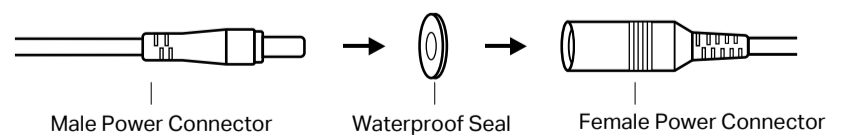
Install the waterproof cable attachments for the network interface when the camera is installed outdoors.  
Note: Make sure each part is securely attached and the waterproof rings are flush to keep out water.



- Route the network cable through the following components in order: fix nut, waterproof ring, and then the waterproof jacket.
- Fix the O-ring to the network interface of the camera and connect the network cables.
- Attach the network interface with the waterproof jacket, then twist to lock.
- Insert the waterproof ring into the waterproof jacket. Rotate the fix nut to secure it to the waterproof jacket.

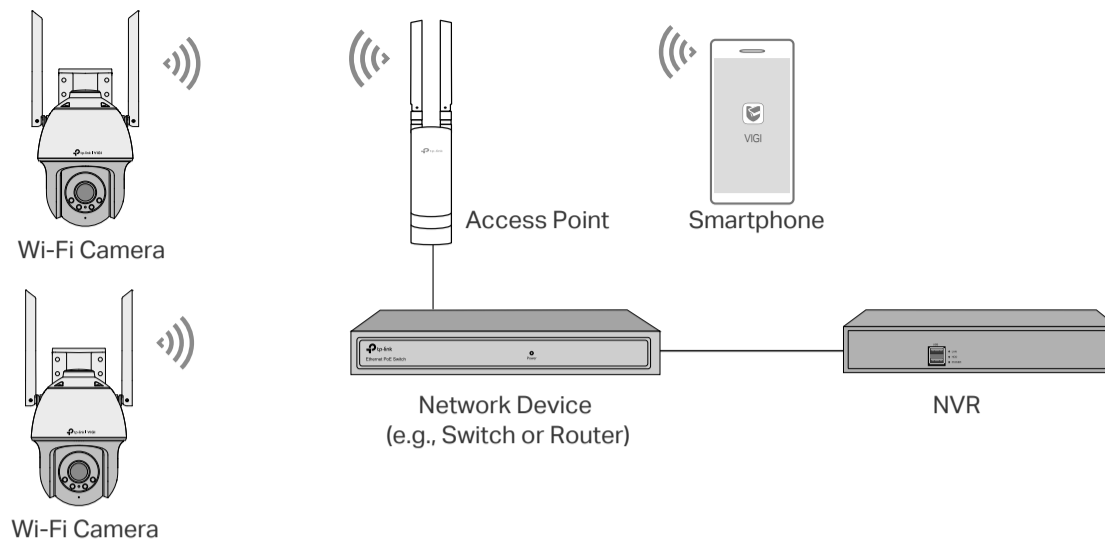
### Install Waterproof Seal for Power Connectors

Install the waterproof seal for the power connectors when the camera is installed outdoors.



## 2 Set Up Camera

Here is a typical network topology. The camera works with an NVR for easier batch access and management.



### Step 1. Download the TP-Link VIGI App

Get the TP-Link VIGI App from the Apple App Store or Google Play.



### Step 2. Power On the Camera

Connect the camera to the power socket via the provided power adapter, and wait until the LED blinks red and green.

### Step 3. Set Up

1. Open the TP-Link VIGI app and log in with your TP-Link ID. If you don't have an account, sign up first.
2. Tap the + button on the top right and follow the app instructions to activate and add your cameras.

Note: If you want to use the NVR for easier batch access and management later, add the camera to the same network as the NVR.

😊 **Done!** You can now remotely view live video, manage cameras, and get instant alerts.

Note: For more detailed instructions, refer to the user guides at <https://www.tp-link.com/support/>

## More Management Methods

You can also access and manage your cameras via any of the methods below.

### Method 1: Use the camera with your VIGI NVR

Before you start, make sure the NVR is working properly.

1. Right click on the Live View screen and click Add Camera.
2. Select your camera and click + to add your camera directly. If you have disabled Plug and Play on your NVR, create a password or use a preset password for your camera.

If you are using your cameras with other NVR brands, refer to the NVR's User Manual to add cameras.

### Method 2: Via the VIGI Security Manager (Windows only)

View live video and modify camera settings on your computer.

1. Download the VIGI Security Manager on your computer at <https://www.tp-link.com/support/download/vigi-security-manager/>.
2. Install the VIGI Security Manager and open it.
3. Cameras on the same network as your computer can be automatically discovered. Go to Settings > Discovered Devices, click + Add to activate your discovered cameras by setting passwords, and follow the instructions to add your cameras.

### Method 3: Via a Web Browser

View live video and modify camera settings via a web browser.

1. Find the camera's IP address on your router's client page.
2. On your local computer, open a web browser and enter **https://camera's IP address** (<https://192.168.0.60> by default).
3. Select your Country/Region and Time Zone.
4. Set a password to activate the camera.

Done. You can view the live video on the Preview page, and go to the Settings page to change camera settings.

## Frequently Asked Questions (FAQ)

### Q1: What can I do if I fail to configure my camera?

- Check if the camera is powered on properly.
- Make sure you have a 2.4 GHz wireless network for camera connection.
- Make sure your camera and NVR/computer/Phone are in the same subnet. If not, use **TP-Link VIGI** app to add your camera to the same network wirelessly or connect your camera to the same network via an Ethernet cable.
- For other NVR brands, make sure you have activated the camera by setting a password via the **VIGI Security Manager, TP-Link VIGI app or web management page**.

### Q2: How do I reset the camera?

- Rotate the sphere and unfasten the two fixed screws to remove the cover. Long press the reset button until the Status LED starts blinking red quickly.

For more questions, please refer to <https://www.tp-link.com/support/faq/2850/>

### Q3: What should I do if I forgot the password of the camera?

- You can check the password of the camera via **VIGI NVR, VIGI Security Manager** or its **web management page**. For more details, refer to the corresponding user guides.
- You can reset the camera and activate it again. During the activation process, you can set a new password.

### Q4: What should I do if the SD card is not working properly?

- Make sure you are using a microSD card.
- Unplug the SD card and insert it again. Make sure you have inserted the SD card correctly.
- It's recommended to use a Class 10 microSD card or higher, with storage from 8 GB to 256 GB.
- Make sure you have initialized the microSD card via the **VIGI Security Manager, TP-Link VIGI app or web management page**.
- If the problem still persists, contact our technical support.

For technical support, the user guide and other information, please visit <https://www.tp-link.com/support>, or simply scan the QR code.



- Do not use any other chargers than those recommended.
- Do not use the device where wireless devices are not allowed.
- Do not use damaged charger or USB cable to charge the device.
- Do not attempt to disassemble, repair, or modify the device. If you need service, please contact us.
- Adapter shall be installed near the equipment and shall be easily accessible.
- Keep the device away from fire or hot environments. DO NOT immerse in water or any other liquid.
- The power adapter must be used indoors. Make sure that the temperature of the power adapter is within 0-40°C.

TP-Link hereby declares that the device is in compliance with the essential requirements and other relevant provisions of directives 2014/53/EU, 2009/125/EC, 2011/65/EU and (EU)2015/863. The original EU Declaration of Conformity may be found at <https://www.tp-link.com/en/support/ce/>

TP-Link hereby declares that the device is in compliance with the essential requirements and other relevant provisions of the Radio Equipment Regulations 2017. The original UK Declaration of Conformity may be found at <https://www.tp-link.com/support/ukca/>